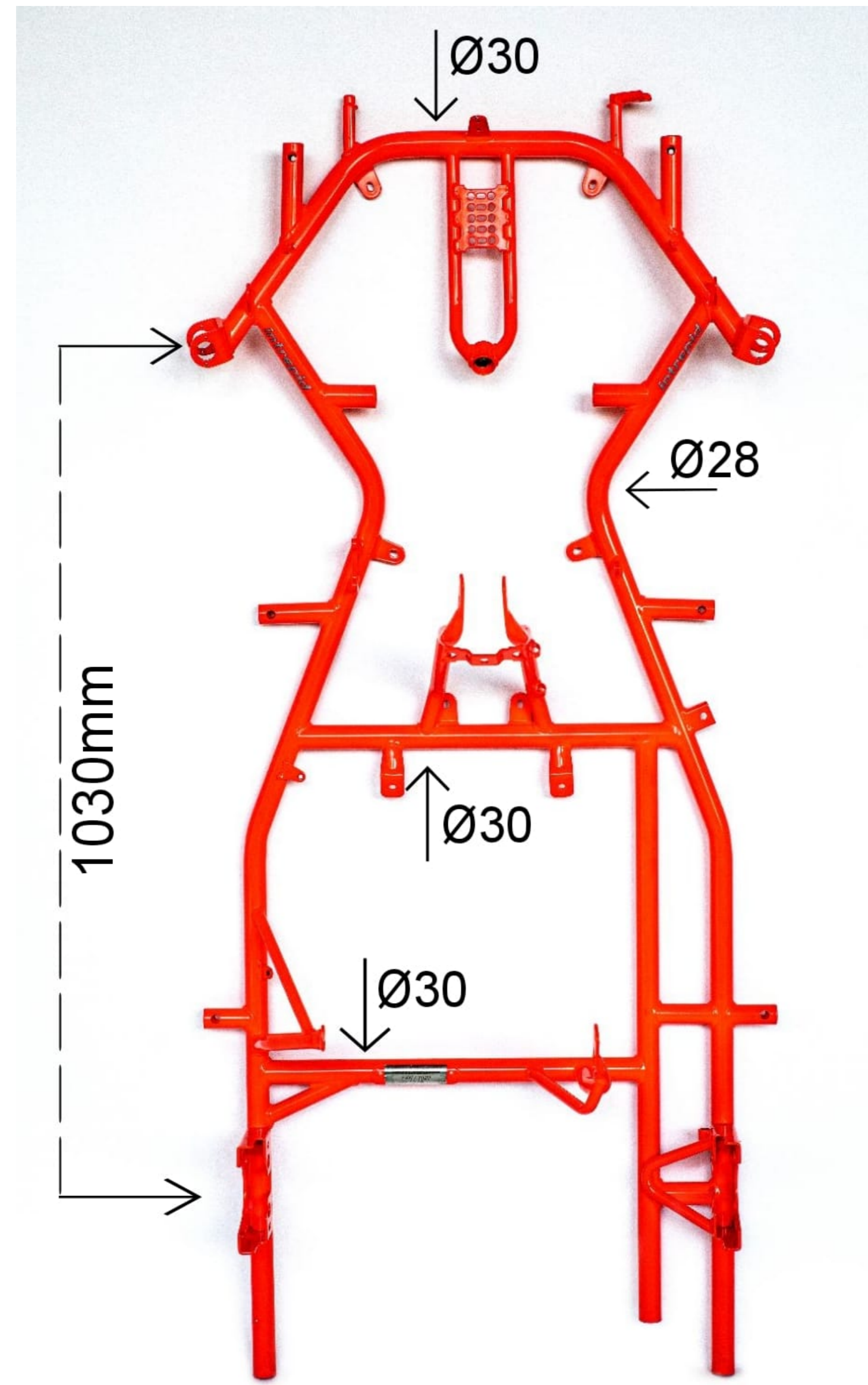
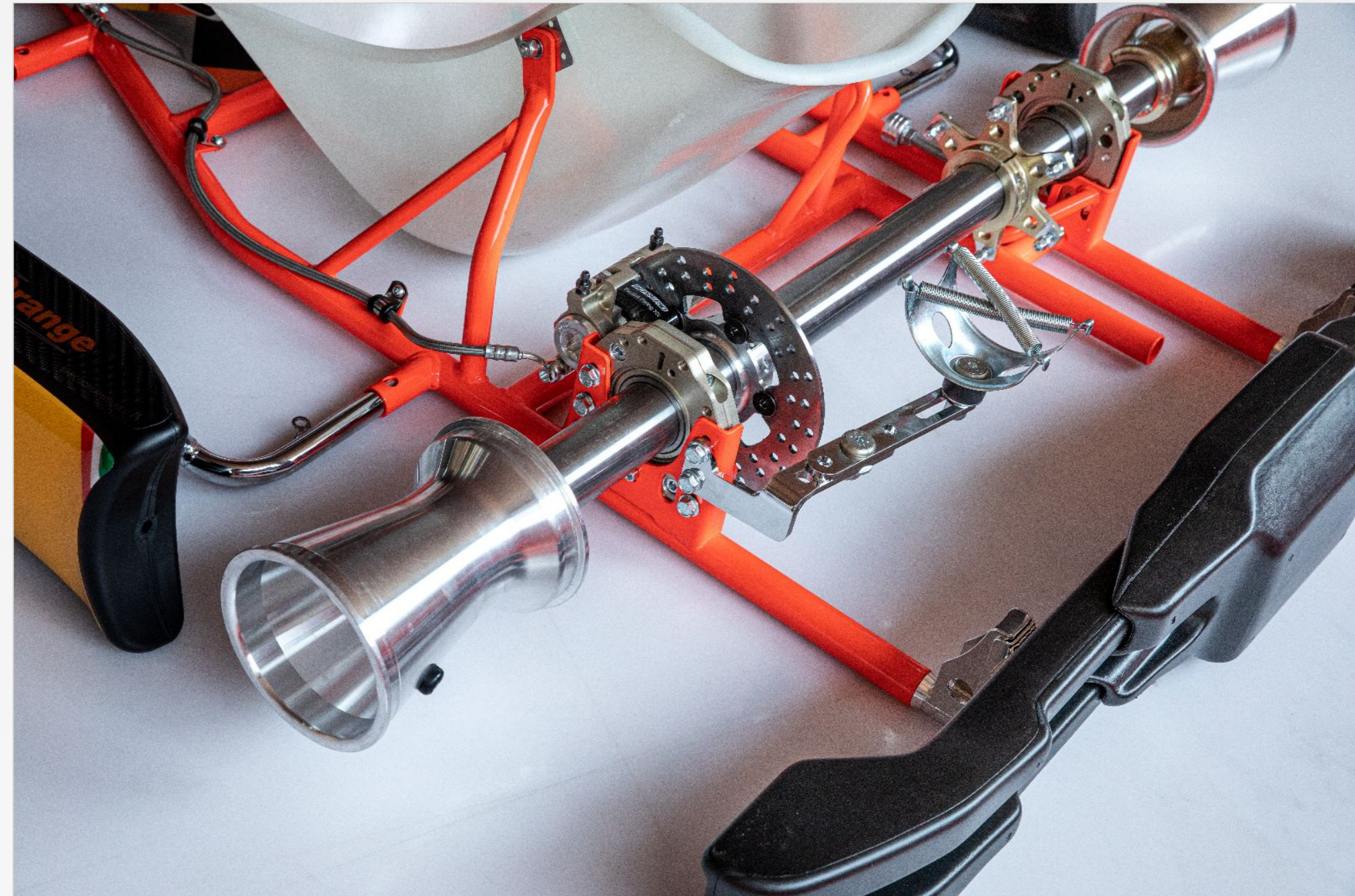
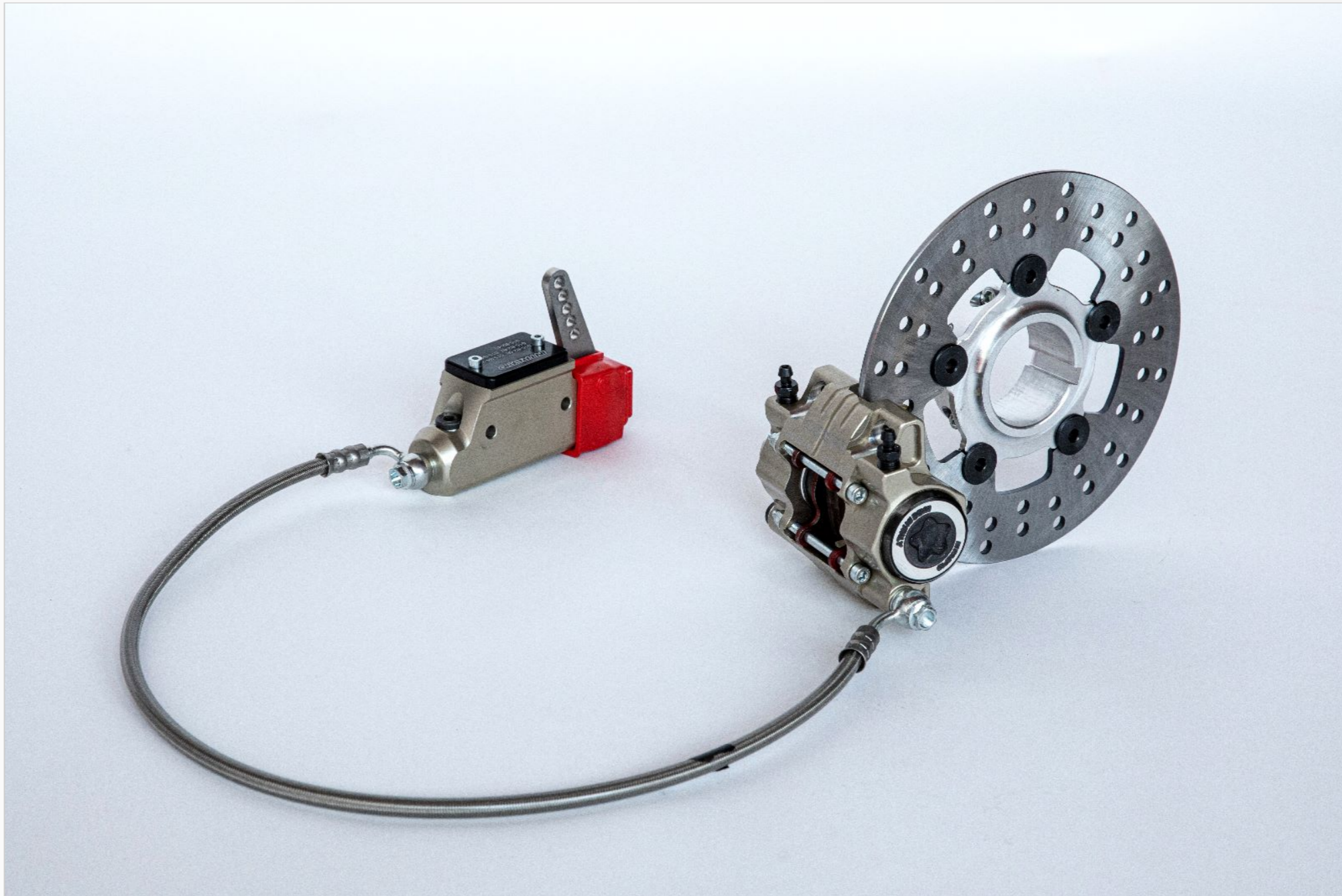


**INTR  
EPID  
KART  
2024**





Price: 2775.00 €